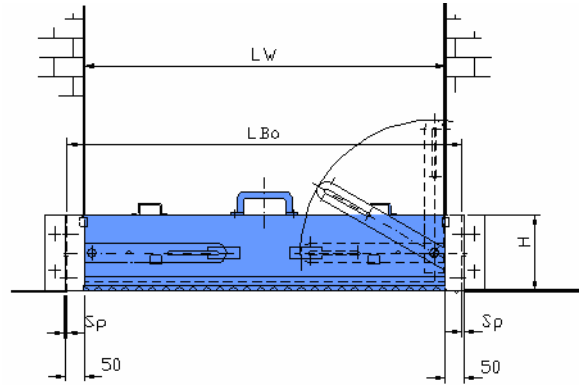


1.3 Floodwater barrier TYPE BL/HTL

Article Index: 314

Barrier, slide-insert
Special design for installation within
the opening

Dimensions:		
Standard height		100 to 300 mm
Standard length	up to	2500 mm
Special situations	up to	4000 mm
Width		50 mm



1.3.1 Description

Suitable for crack-free surfaces with ground/floor unevenness of up to 15 mm, e.g. concrete, corrugated sheet metal, tiles, stones, etc.

The floodwater barrier consists of a hollow, aluminium body section with lower edge protection.

A compressible, highly-adaptable special seal is applied to the bottom side.

The floodwater barrier is rigidly installed universally mounted in two "U"-shaped mounting devices by way of preference within a door/gate opening, between walls, etc. and sealed against the building or structure.

With a special version, mounting is also possible outside of the opening.

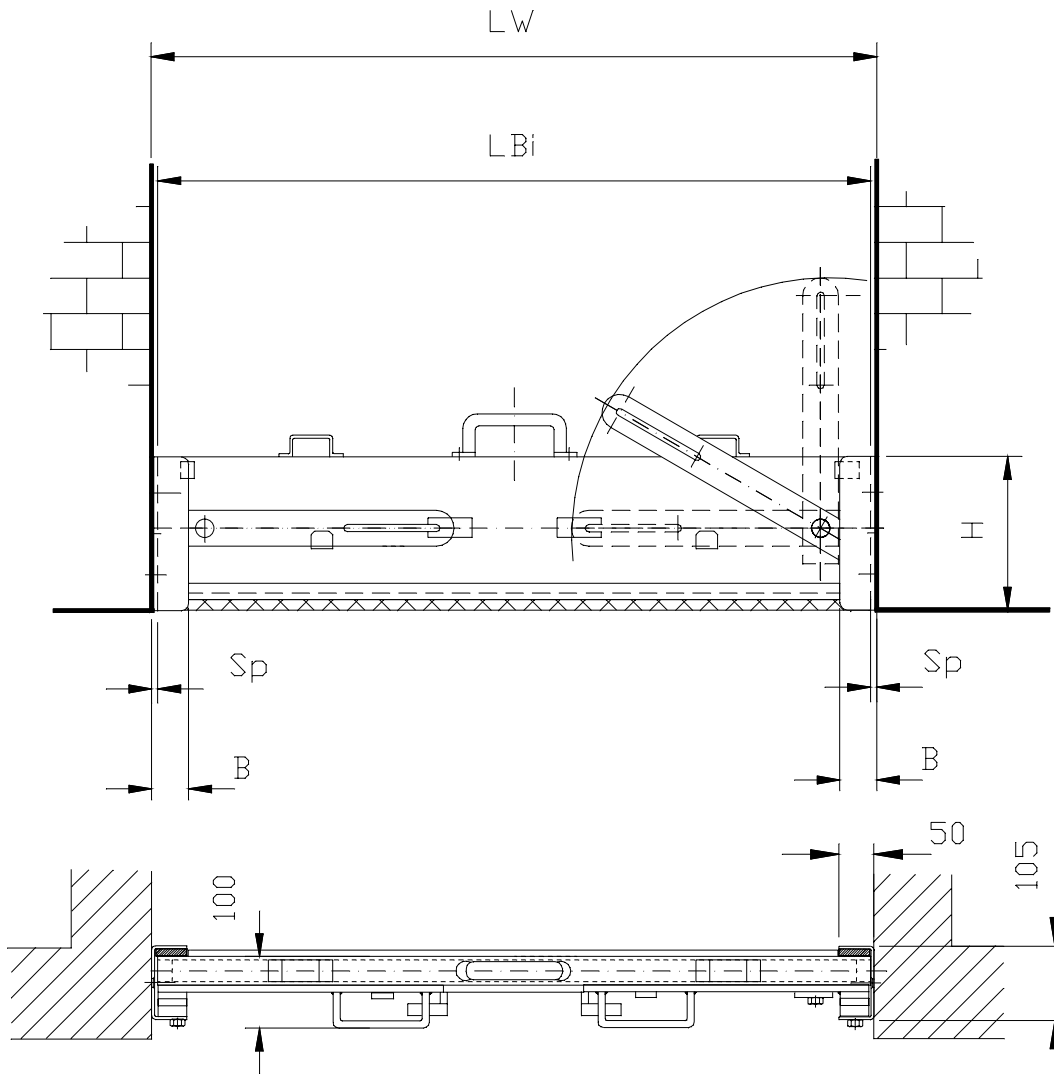
Two rotating tensioning levers are mounted on the barrier body. With these, the necessary force can be applied in the guide rails and against the surface in order to lock and seal the unit and provide for a reliable seal.

Wall mounts are included in the scope of delivery in order to provide for orderly storage. Steel components are galvanized. The aluminium barrier sections have a polished bare metal finish. Paint finish or powder coating upon request

Features:

- Uncomplicated, ease in handling
- Design-tested (LGA, Trade Supervision Department, Bavaria, Germany) as BL/BTL
- Quality-controlled (Ing.-Büro Blobel, Friedberg, Germany)
- Field-tested

1.3.2 Drawing – within the opening

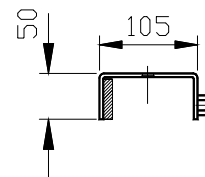


BL / HTL (Floodwater barrier, rapid closure, slide-insert)

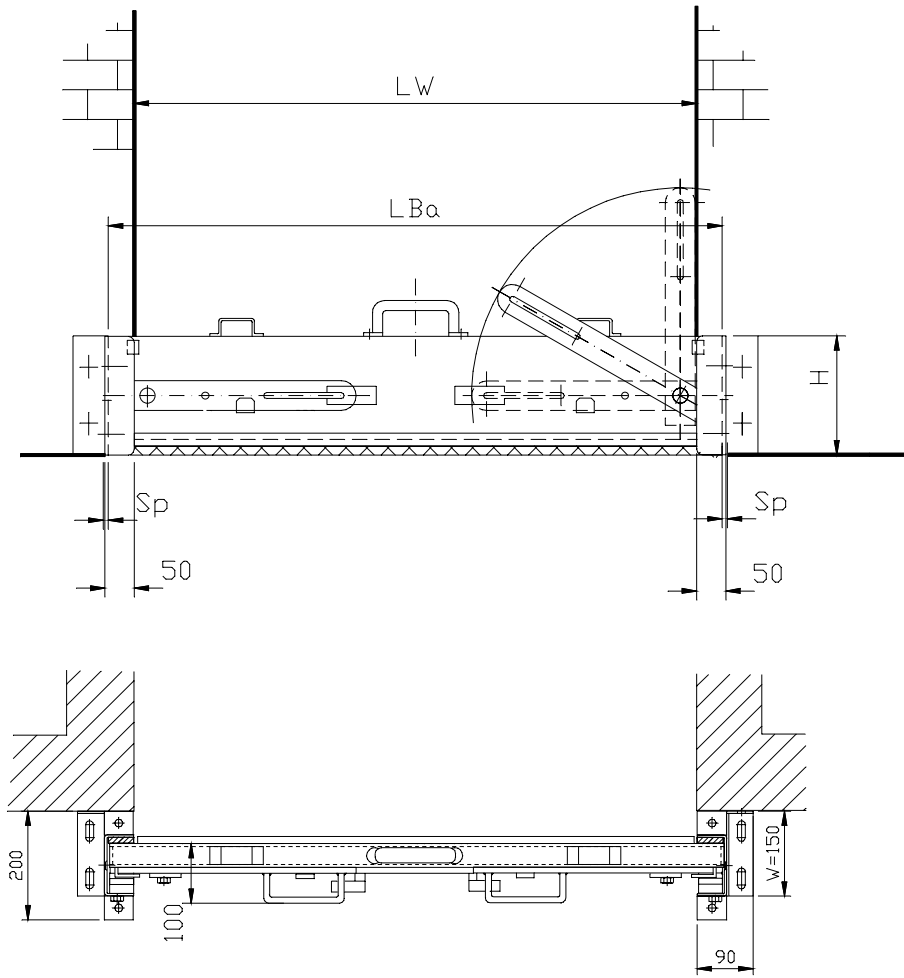
Table of dimensions for specified dimension LBi (LBi = length of barrier, within the opening)

H / 50

Height H [mm]	LWi [mm]	
150	up to 2500	$LBi = Lw - (2 \times Sp \ 1)$
200		$Sp \ 1 = 15 \text{ mm}$
300		



1.3.3 Drawing – outside of the opening

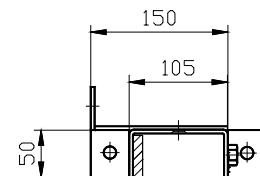


BL / HTL (Floodwater barrier, rapid closure, slide-insert)

Table of dimensions for specified dimension LBa
 (LBa = length of barrier, outside of opening)

H / 50

Height H [mm]	LWa [mm]	$LBa = LW + 2 Z$
150	up to 2500	$Sp = 10 \text{ mm}$
200		$Z = \text{Ad measurement} = 35 \text{ mm}$
300		



Europe

Blobel Umwelttechnik GmbH

Ziegeleistraße 5
86368 Gersthofen, Germany

Telephone: +49 (0)821 498190-0
Telefax: +49 (0)821 498190-30

email: info@blobel.de
Web: www.blobel.de

North America / Canada

BLOBEL Environmental Engineering LLC

270 Presidential Drive
Wilmington, Delaware 19807, USA

Telephone: +1 302-353-1555
Telefax: +1 302-288-3753
Mobile: +1-215-666-2267

email: info@blobel.us
Web: www.blobel.com

Asia / Pacific / South America

Blobel Environmental Engineering

6/41 Belgrave Street
Sydney NSW 2024, Australia

Telephone: +61 (0)2/93 69 35 04
Mobile: +61 (0) 4 19 27 94 81

email: mail@blobel.com
Web: www.blobel.com