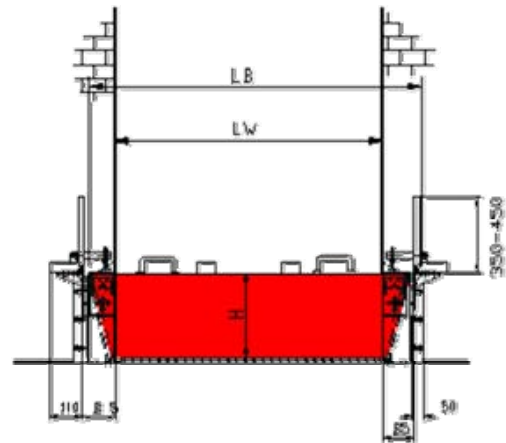


1.1 Retention barrier type BL/EX

Article root number: 713

Multi-functional – basic model Barrier – slide-insert For extreme conditions Modular system

Dimensions:	
Standard height	150 to 750 mm
Special situations	up to 1000 mm
Standard length	up to 6000 mm
Special situations	upon request
Width	50 mm



4.2.1 Description

The Retention Barrier forms the basis for a modular system for incremental build-up for stationary, vertical travel, manual or automatic versions. Conversion into stationary, folding-type systems is also possible.

Suitable for crack-free surfaces with up to 30 mm (± 15 mm) of floor/ground unevenness, e.g. concrete, corrugated sheet metal, tiles, stones, asphalt, etc. Special feature: Sealing of railroad tracks.

The Retention Barrier features a trapezoidal, integral hollow profiled aluminium section with a compressible, highly adaptable special seal affixed to the bottom side and end faces.

It is securely mounted in two mounting fixtures to the left and to the right of the opening to be secured and tightly sealed against the building or structure. Installation within the doorjamb is possible.

A heavy vertical tensioning device is bolted on each of the mounting fixtures with which the necessary force can be applied to press the body of the barrier into place against the mounts and the floor/ground and compress the floor/ground seal. A leak-proof closure is ensured in this manner. The position of the levers can be selected at will by means of special consoles. The contact pressure is adjustable.

Wall mounts are included in the product package to provide for orderly storage.

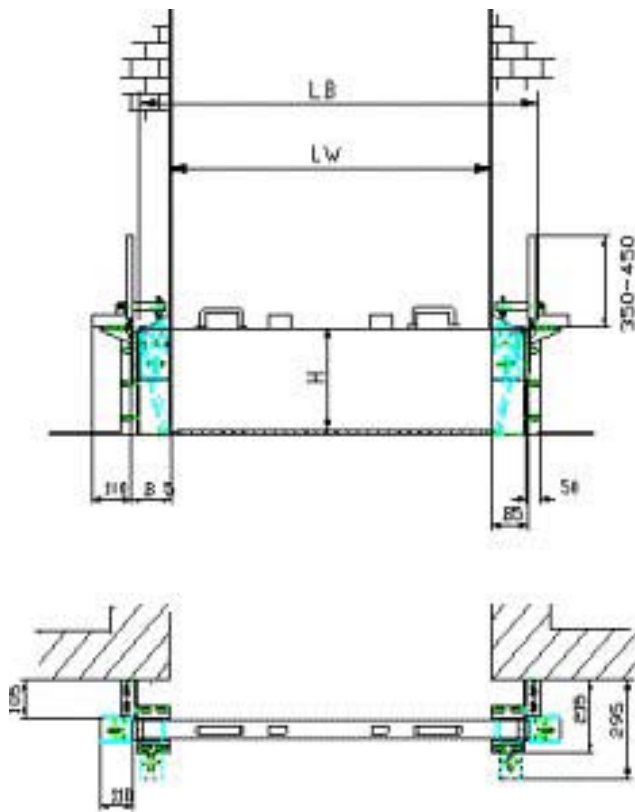
Barrier bodies and mounting fixtures are furnished with a red paint finish, preferably "traffic red" RAL 3020. The remaining metal components are galvanized or made of aluminium.

Features:

- **Ease of use and high degree of adaptability**
- **Manufactured according to LGA Test Guideline 3/93**
- **Quality-monitored (Ing.-Büro Blobel, Friedberg, Germany)**
- **Field-tested**



1.2 Drawing – BL/EX "Multi" type



BL / EX (Barrier – slide-insert – extreme - lever toward side or front)

Table of dimensions for specified dimension LB

LB = barrier length LW = clearance width Z_{EX} = ad measurement B_{EX} $LB = LW + Z_{EX}$

B5 = mount, multi-standard

Retention height H [mm]	B5 [mm]	Z [mm]	Retention height H [mm]	B5 [mm]	Z [mm]
150	120	180	600	210	355
200	120	180	650	225	385
250	120	170	700	240	410
300	130	195	750	250	435
350	150	220	800	265	465
400	155	250	850	280	490
450	170	275	900	290	515
500	185	305	950	305	545
550	195	330	1000	320	570

Europe

Blobel Umwelttechnik GmbH

Ziegeleistraße 5
86368 Gersthofen, Germany

Telephone: +49 (0)821 498190-0
Telefax: +49 (0)821 498190-30

email: info@blobel.de
Web: www.blobel.de

North America / Canada

BLOBEL Environmental Engineering LLC

270 Presidential Drive
Wilmington, Delaware 19807, USA

Telephone: +1 302-353-1555
Telefax: +1 302-288-3753
Mobile: +1-215-666-2267

email: info@blobel.us
Web: www.blobel.com

Asia / Pacific / South America

Blobel Environmental Engineering

6/41 Belgrave Street
Sydney NSW 2024, Australia

Telephone: +61 (0)2/93 69 35 04
Mobile: +61 (0) 4 19 27 94 81

email: mail@blobel.com
Web: www.blobel.com